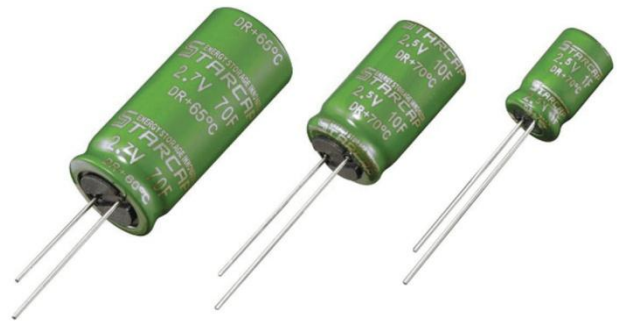


| Features |

- Small size but large capacity
- Low ESR
- Pb Free and RoHS Compliant

| Application |

- Solar voltaic applications
(e.g. Traffic sign "LED type". Road guidance flasher)
- Motor drive through quick discharge
(e.g. Toy car & plane)
- Emergency power supply for car DVR or black box

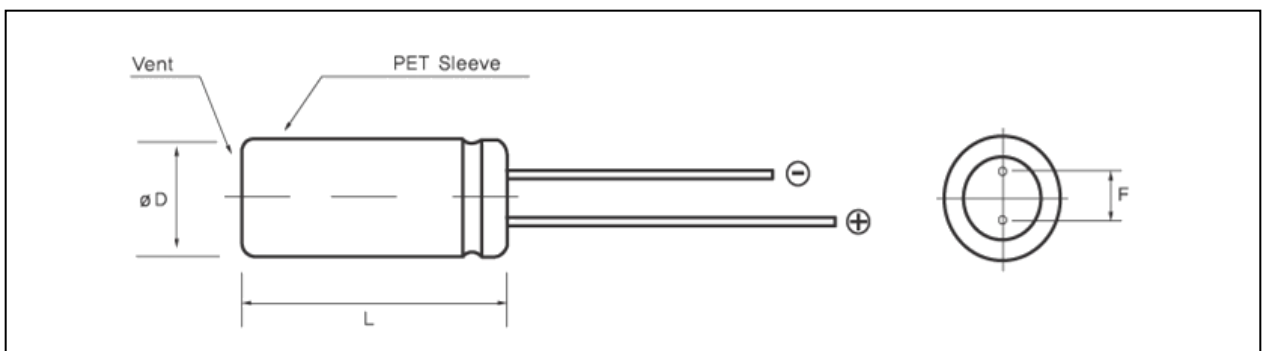


| Specifications |

Items	Characteristics		
	DRL	DR	
Rated working voltage	2.3 VDC	2.5 VDC	2.7 VDC
Operating temperature	-25 to +65°C	-25 to +70°C	-40 to +65°C
Nominal Cap. Range	10 to 120F	1 to 70F	
Capacitance tolerance	-20% to +40%(at 25°C)		
Endurance	After 1,000 hours Application of rated DC working voltage at +65/70°C, the capacitor shall meet the following limits. <ul style="list-style-type: none"> • Capacitance change : ≤30% of initial value • Internal resistance change : ≤100% of spec. value 		
Projected Cycle Life*	100,000 Cycles	500,000 Cycles	
	1 Cycle : Charge-Discharge between V_{rated} and $1/2V_{rated}$ <ul style="list-style-type: none"> • Capacitance change : ≤30% of initial value • Internal resistance change : ≤100% of spec. value 		
Shelf life	After 1,000hours storage at +65°C without load, the capacitor shall meet the specified limit for "Endurance"		

* Cycle life varies according to the condition of application i.e. charge-discharge condition including current, temperature, voltage range and etc.

| Shape of Standard Product |



| Standard Products and Dimensions (not to scale) |

Part number	Operating voltage (V)	Capacitance (F)	ESR (Ω , @1kHz)	\varnothing D x L(mm)	F (mm)	
DRL 2R3 106	2.3	10	≤ 0.160	$\varnothing 10 \times 20$	5.0	
DRL 2R3 226		22	≤ 0.080	$\varnothing 10 \times 30$	5.0	
DRL 2R3 306		30	≤ 0.060	$\varnothing 12.5 \times 25$	5.0	
DRL 2R3 506		50	≤ 0.040	$\varnothing 16 \times 25$	7.5	
DRL 2R3 706		70	≤ 0.030	$\varnothing 16 \times 35$	7.5	
DRL 2R3 127		120	≤ 0.025	$\varnothing 18 \times 40$	7.5	
DR 2R5 105R		2.5	1	≤ 0.300	$\varnothing 8 \times 13$	3.5
DR 2R5 305R	3		≤ 0.150	$\varnothing 8 \times 20$	3.5	
DR 2R5 505R	5		≤ 0.120	$\varnothing 8 \times 25$	3.5	
DR 2R5 505S	5		≤ 0.120	$\varnothing 10 \times 20$	5.0	
DR 2R5 705L	7		≤ 0.100	$\varnothing 8 \times 30$	3.5	
DR 2R5 705R	7		≤ 0.100	$\varnothing 10 \times 20$	5.0	
DR 2R5 705D	7		≤ 0.100	$\varnothing 10 \times 25$	5.0	
DR 2R5 106R	10		≤ 0.070	$\varnothing 10 \times 25$	5.0	
DR 2R5 106RX	10		≤ 0.070	$\varnothing 10 \times 30$	5.0	
DR 2R5 106S	10		≤ 0.070	$\varnothing 12.5 \times 20$	5.0	
DR 2R5 156R	15		≤ 0.050	$\varnothing 12.5 \times 25$	5.0	
DR 2R5 256R	25		≤ 0.030	$\varnothing 16 \times 25$	7.5	
DR 2R5 356R	35		≤ 0.025	$\varnothing 16 \times 35$	7.5	
DR 2R5 506R	50		≤ 0.021	$\varnothing 18 \times 40$	7.5	
DR 2R5 706R	70		≤ 0.020	$\varnothing 18 \times 40$	7.5	
DR 2R7 105R	2.7		1	≤ 0.200	$\varnothing 8 \times 13$	3.5
DR 2R7 305R			3	≤ 0.075	$\varnothing 8 \times 20$	3.5
DR 2R7 505R		5	≤ 0.060	$\varnothing 8 \times 25$	3.5	
DR 2R7 505S		5	≤ 0.060	$\varnothing 10 \times 20$	5.0	
DR 2R7 705L		7	≤ 0.050	$\varnothing 8 \times 30$	3.5	
DR 2R7 705R		7	≤ 0.050	$\varnothing 10 \times 20$	5.0	
DR 2R7 705D		7	≤ 0.050	$\varnothing 10 \times 25$	5.0	
DR 2R7 106R		10	≤ 0.035	$\varnothing 10 \times 25$	5.0	
DR 2R7 106RX		10	≤ 0.035	$\varnothing 10 \times 30$	5.0	
DR 2R7 106S		10	≤ 0.035	$\varnothing 12.5 \times 20$	5.0	
DR 2R7 156R		15	≤ 0.030	$\varnothing 12.5 \times 25$	5.0	
DR 2R7 256R		25	≤ 0.020	$\varnothing 16 \times 25$	7.5	
DR 2R7 356R		35	≤ 0.018	$\varnothing 16 \times 35$	7.5	
DR 2R7 506R		50		$\varnothing 18 \times 40$	7.5	
DR 2R7 706R		70	≤ 0.016	$\varnothing 18 \times 40$	7.5	

Note : It is not allowed to go through reflow (IR, Atmosphere heating methods etc.) process