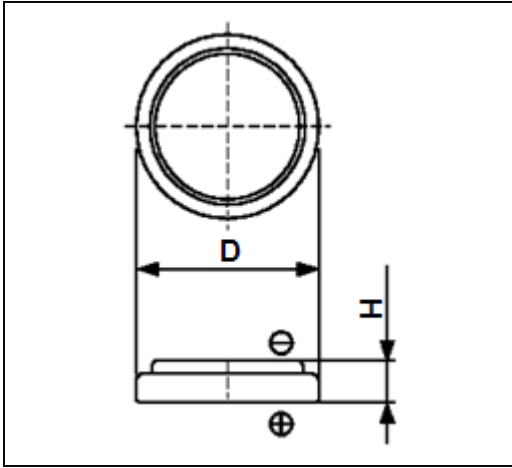


General Specifications



Nominal Voltage (V)		3
Nominal Capacity (mAh) *1		36
Standard Discharge Current (mA)		0.1
Operating Temperature Range (°C)		-20 ~ +70
Dimensions (mm)	Diameter (D)	12.5
	Height (H)	2.0
Approx. Weight (g)		0.8

*1 Nominal capacity is determined at an end voltage of 2.0V when the battery is allowed to discharge at a standard current level at +23°C.

*2 Consult with FDK when using batteries at temperatures exceeding -20°C to +60°C range.

Note) Battery Handling Precautions

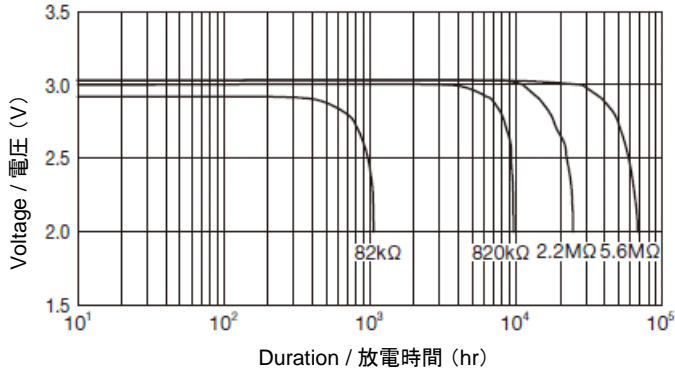
English) http://www.fdk.com/battery/lithium_e/handling_precaution.html

Japanese) http://www.fdk.co.jp/battery/lithium/handling_precaution.html

Typical Characteristics

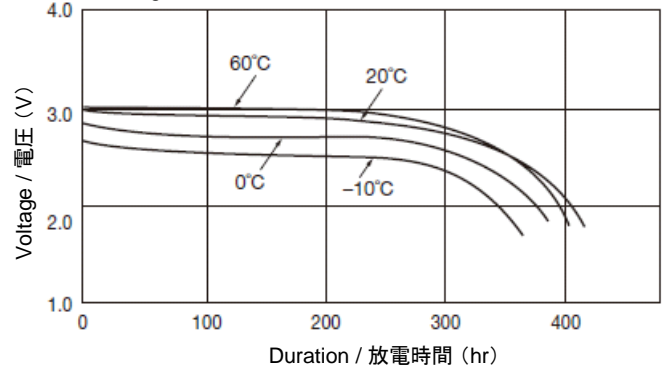
Continuous Discharge Characteristics of CR1220

Temperature : 20°C / 温度 : 20°C



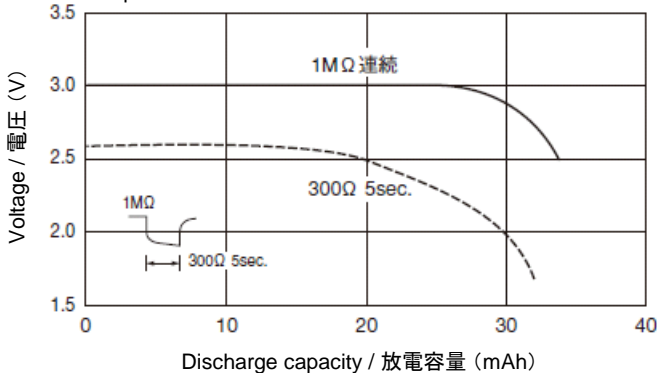
Temperature Characteristics of CR1220

Discharge Load : 30kΩ / 放電抵抗 : 30kΩ



Pulse Discharge Characteristics of CR1220

Temperature : 20°C / 温度 : 20°C



Discharge Load vs. Discharge Capacity of CR1220

End voltage : 2V / 終止電圧 : 2V

